



Hook Technologies

WWW.HOOKTECH.CO.NZ

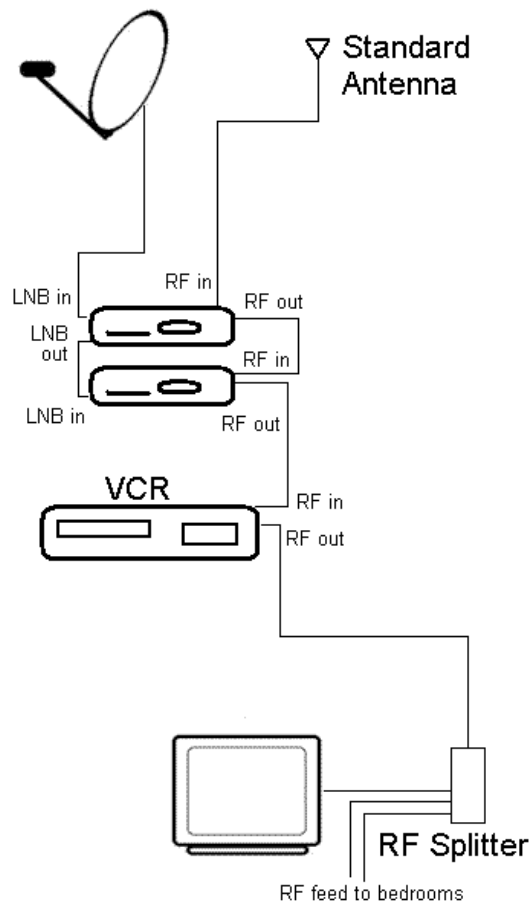
How to Connect 2 Receivers into your Home TV System

Do you want to have more than one receiver in your house? Well here's one way to connect it up. The end result allows you to watch signal from either Receiver 1, Receiver 2, the VCR or any terrestrial TV signal (terrestrial means signal transmitted over the ground which is our normal TV signal - from the aerial on your roof) [on any TV in the house](#). For any further questions just contact us.

Multi Outlet in House - Block Diagram (example only)

Overview: (see diagram below)

Signal from the satellite dish (see diagram below) is fed into the first satellite receiver (we recommend a 90-100cm dish for 2 receivers). The satellite receiver has an extra LNB (or dish) outlet on the rear panel. This LNB outlet is fed into the second receiver (this can be then fed out of that receiver into another and so on if needed).



The RF output channel (frequency that the 'program' will leave the receiver on) is set different in each receiver. This is to avoid interference when the outputs are all joined. The table below gives an example of the channel (frequency) settings. Such a table can be used to fill out and keep in your records.

The RF output from each receiver (and the VCR) is combined as it passes to each one and then fed to each TV in the house via the RF splitter (a standard TV signal amplifier may be needed here depending on the amount of TVs in the house). Many existing homes may already have a splitter and possibly an amplifier which has the terrestrial antenna (standard VHF/UHF) fed into it. Disconnect the terrestrial antenna and feed it into the RF in of the first receiver, then take the RF output of the VCR and feed it back into the old amplifier and splitter arrangement. Now the signal from the receivers, the VCR and the terrestrial antenna is fed to every outlet in the home. The TV in each room is tuned to each channel (frequency) as per the example table below.

Example Table for 2 receivers on Home TV system

A table similar to the one below may be useful to fill out on completing the install. It makes it easier to tune each TV.

Overview: (see diagram below)

The use of the table is very simple but one thing to note is the addition of the terrestrial channels (if they are available). Their frequency is labelled here as being 'standard' because they are not changed as they run through the system. So just tune the TV to those channels like you normally do.

This system allows a home owner to have a choice of viewing programs for the household while keeping costs down. The dish cable is run to one spot only and a limited number of FTA receivers are purchased, with more easily added later (naturally the more expensive option is to run the dish cable into each room and have a receiver for each of those rooms - more choice but more cost). One receiver can be used for watching in the lounge while the other can be set to any available channel for watching elsewhere (note: a cover will need to be placed over the remote control receiving lens on the front of the second receiver to stop it changing programs when the remote is used - a piece of black tape will suffice. When the channels need to be changed on that receiver (Rec2) the buttons on the front can be used).

This setup allows recording of one channel while watching another. Also by incorporating the VCR, one VCR can be used to feed to the whole home. All that is needed is to go to the lounge, put on the VCR and then return to your bedroom and turn to the VCR channel. More than one VCR can be added for more choice throughout the home.

Do remember this is only an EXAMPLE.

Product	RF output - UHF frequency	Program	Button tuned to on TVs
Rec1	26	any	1
Rec2	30	any	2
VCR	54	Video	0
Terrestrial	Standard	TV3	3
Terrestrial	Standard	TV4	4
Terrestrial	Standard	Prime	5