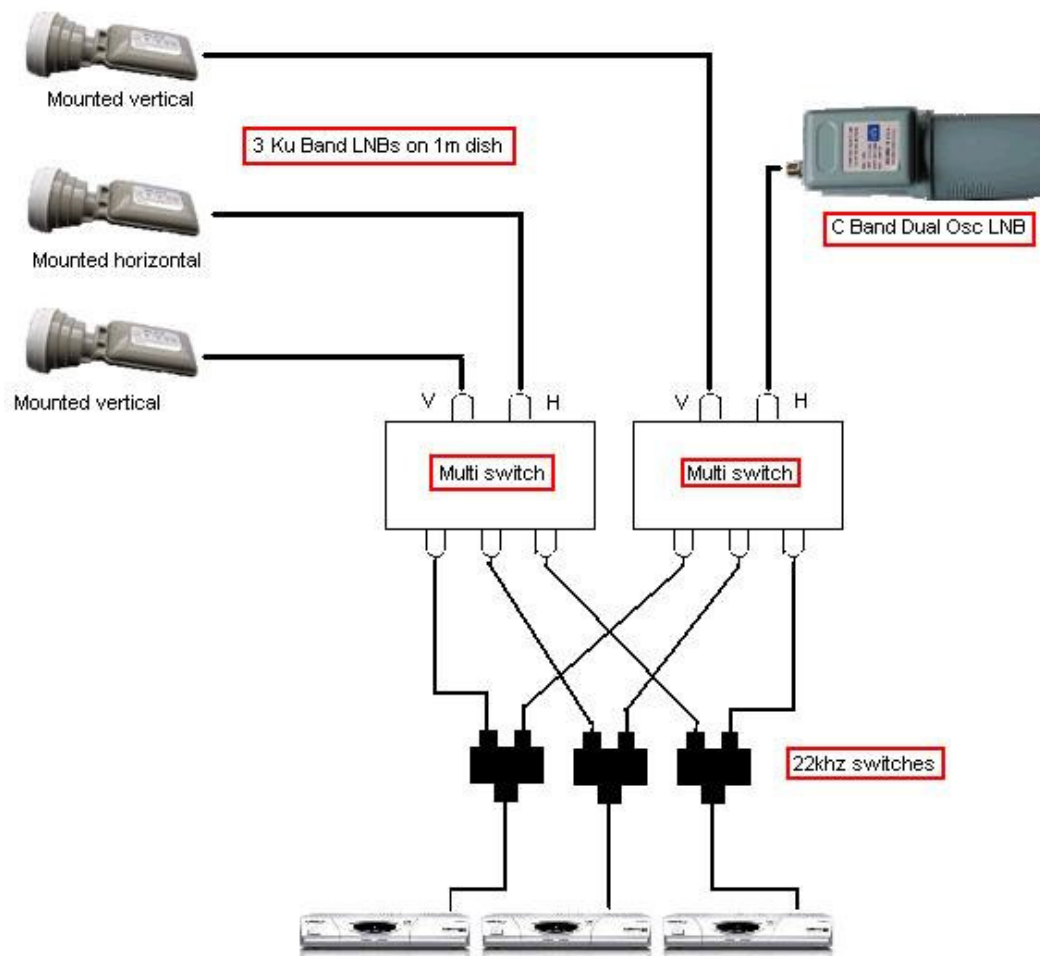


## How to have a Triple Sat Ku Band system and a C Band system running together to as many as 3 receivers

The basic diagram is below. Please read the information sheet on the multi-switch and the dual local oscillator C band LNB, to understand their use.



This allows each receiver to independently select any LNB. The Ku Band LNBs on Optus B1, C1 and B3 are all viewing vertical transponders so the receivers will never need to select a horizontal polarisation. However if you use C Band for Asiasat 3S or a similar satellite, you need to be able to select both horizontal and vertical transponders. That is why the dual local oscillator C band LNB is used. Both vertical and horizontal are sent down the cable at once, each with a different L.O. setting. This allows any receiver to select either vertical or horizontal without disturbing the other receivers. Of course all of this does require some setup within the receiver.